

SMOOTH OPERATION EVEN IN CONFINED SPACES.

PW23-PW30

4,500 – 6,000 LB CAPACITY ELECTRIC WALKIE

1. Efficient

Enhanced System

Designed with an Alternating Current (AC) drive system, these walkies offer precise speed control, smooth directional changes and quiet operation.

Operator Control

Pallet positioning and pinwheeling in tight areas, like trailers, is easy with this walkie. The small footprint allows operators to easily maneuver in confined spaces, allowing for optimum productivity.

2. Comfortable

Dual Controls

With controls mounted on both sides of the handle, operating the walkie is comfortable from either side of the truck and while working in confined areas.

Smooth Operation

With ease of handling and low steer effort, the gas cylinder handle assembly offers comfort and smooth operation.

3. Smart

Incline Performance

Due to the motor and high output controller, this walkie achieves high levels of performance and control on grades. This level of performance supports your operators in moving more pallets in less time.

Innovative Braking

Providing increased productivity, the PW23-30 electromagnetic brake system is substantially easier to maintain than mechanical brake systems due to its reduced wear on the brake components.

4. Durable

Directional Reverse

The “smart” directional reverse switch is designed for activation only when traveling in a tractor-first direction, providing added protection for the operator and your application.

Short Battery Box

Ideal for applications with confined spaces, the PW23 with short battery box features a head length of 19.4 inches, making it easy to maneuver in even the most congested areas.



CHARACTERISTICS			PW23		PW23		PW23L		PW30	
1	Chassis style		short compartment		medium compartment		large compartment		medium compartment	
2	Drive		electric		electric		electric		electric	
3	Type of operation		walkie		walkie		walkie		walkie	
4	Load capacity / rated load	lbs kg	4,500	2,000	4,500	2,000	4,500	2,000	6,000	2,700
5	Load center distance	in mm	24	600	24	600	24	600	24	600
6	Wheelbase	in mm	51.4 ^[1]	1,310 ^[1]	54.9 ^[1]	1,395 ^[1]	54.9 ^[1]	1,395 ^[1]	55.8 ^[1]	1,417 ^[1]
WEIGHTS										
7	Service weight including min. weight battery (see line 6.5)	lbs kg	913	415	797	362	1,061	482	1,095	497
8	Axle loading – loaded, drive / load	lbs kg	1,971 / 3,442	895 / 1,562	1,939 / 3,358	880 / 1,524	2,035 / 3,526	924 / 1,600	2,332/4,763	1,058 / 2,160
9	Axle loading – unloaded, drive / load	lbs kg	723 / 190	328 / 87	631 / 166	287 / 76	840 / 221	382 / 101	859/236	390 / 107
WHEELS / CHASSIS										
10	Tires		PU (polyurethane)		PU (polyurethane)		PU (polyurethane)		PU (polyurethane)	
11	Tire size, drive	in mm	9.1 x 2.8	230 x 70	9.1 x 2.8	230 x 70	9.1 x 2.8	230 x 70	9.1 x 2.8	230 x 70
12	Tire size, load	in mm	3.25 x 4.3	82 x 110	3.25 x 4.3	82 x 110	3.25 x 4.3	82 x 110	3.25 x 4.3	82 x 110
13	Additional wheels – dimensions	in mm	3.9 x 1.6	100 x 40	3.9 x 1.6	100 x 40	3.9 x 1.6	100 x 40	3.9 x 1.6	100 x 40
14	Wheels – number, drive / load (x = driven wheels)		1x / 2		1x / 2		1x / 2		1x +2	
DIMENSIONS										
15	Maximum fork height (MFH)	in mm	8.1	205	8.1	205	8.1	205	8.1	205
16	Handle height in drive position, minimum / maximum	in mm	31.4 / 51.7	797 / 1,313	31.4 / 51.7	797 / 1,313	31.4 / 51.7	797 / 1,313	31.7 / 52.0	805 / 1,320
17	Lowered fork height	in mm	3.25	82	3.25	82	3.25	82	3.25	82
18	Overall length	in mm	64.8	1,646	68.3	1,735	68.3	1,735	70	1,779
19	Length to fork face, headlength	in mm	19.4	493	23.2	590	23.2	590	24.9	633
20	Overall width	in mm	28.6	727	28.6	727	32.9	836	28.6	727
21	Fork dimensions, thick / width	in mm	2.2 / 6.8 / 45.3	55/173/1,150	2.2 / 6.8 / 45.3	55/173/1,150	2.2 / 6.8 / 45.3	55/173/1,150	2.2 / 6.8 / 45.3	55/172/1,150
22	Overall width over forks	in mm	26.4 / 21.3	670 / 540	26.4 / 21.3	670 / 540	26.4 / 21.3	670 / 540	26.4 / 21.3	670 / 540
23	Ground clearance, center of wheelbase	in mm	1.1	28	1.1	28	1.1	28	1.1	28
24	Aisle width (for 48 x 40 pallets (L x W))	in mm	76.9 ^{[1] [2]}	1,954 ^{[1] [2]}	80.4 ^{[1] [2]}	2,043 ^{[1] [2]}	80.4 ^{[1] [2]}	2,043 ^{[1] [2]}	82.1 ^{[1] [2]}	2,086 ^{[1] [2]}
25	Turning radius	in mm	58.7 ^[1]	1,491 ^[1]	62.2 ^[1]	1,580 ^[1]	62.2 ^[1]	1,580 ^[1]	63.9 ^[1]	1,623 ^[1]
PERFORMANCE										
26	Travel speed, loaded / unloaded	mph kph	3.7 / 3.7	6.0 / 6.0	3.7 / 3.7	6.0 / 6.0	3.7 / 3.7	6.0 / 6.0	3.7 / 3.7	6.0 / 6.0
27	Lift speed, loaded / unloaded	ft/min m/s	7.1 / 9.1	.036 / .046	7.1 / 9.1	.036 / .046	7.1 / 9.1	.036 / .046	9.3 / 13.8	.047 / .07
28	Lowering speed, loaded / unloaded	ft/min m/s	10.2 / 9.1	.052 / .046	10.2 / 9.1	.052 / .046	10.2 / 9.1	.052 / .046	12.4 / 11.8	.063 / .06
29	Maximum gradeability, loaded / unloaded	%	8 / 20		8 / 20		8 / 20		10 / 20	
30	Service brake		electric		electric		electric		electric	
MOTORS										
31	Drive motor (rating S ₂ , 60 minute)	hp kW	1.0	1.3	1.0	1.3	1.0	1.3	1.6	2.1
32	Lift motor rating at S ₂ 10%	hp kW	1.2	1.6	1.2	1.6	1.2	1.6	1.5	2.0
33	Battery voltage	V	24		24		24		24	
34	Battery, nominal capacity (at 6 hour rate)	Ah	142 – 150		195 – 375		195 – 375		195 – 375	
35	Battery weight, minimum	lbs kg	265	120	154	70	374	170	154	70
OTHER										
36	Sound level at driver's ear	dB(A)	70		70		70		70	

[1] Load section lowered: add 2.10 inches.

[2] Add 8 inches for maneuvering space.

Note: all dimensions with 48 inch (nominal) forks unless otherwise noted.

SAFETY STANDARDS

These trucks meet American National Standards Institute/Industrial Truck Standards Development Foundation, ANSI/ITSDF B56.1. UL-Classified by Underwriters Laboratories, Inc., as to fire and electric shock hazard only; Type E, Industrial Trucks. Users should be aware of, and adhere to, applicable codes and regulations regarding operator training, use, operation and maintenance of powered industrial trucks, including:

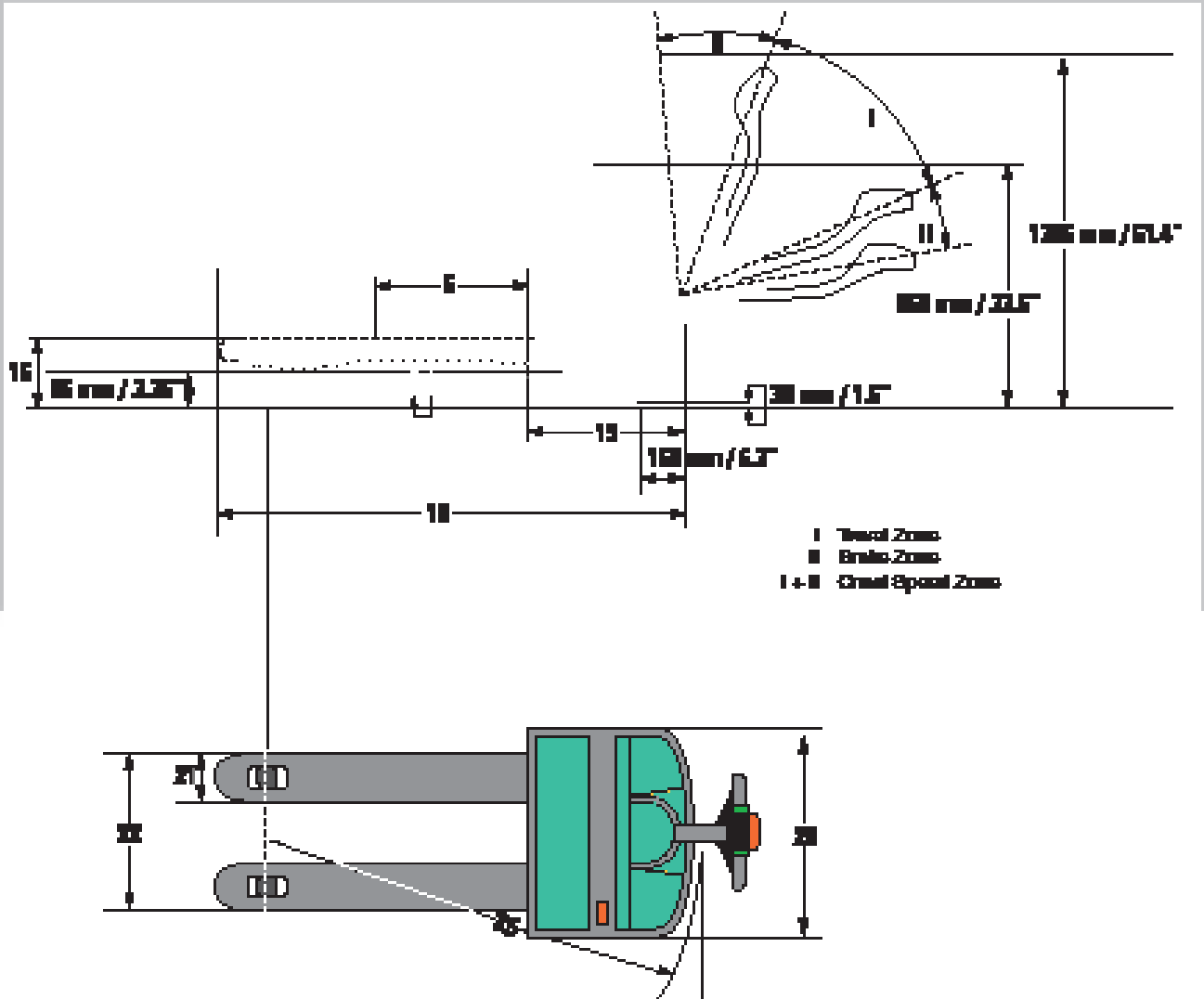
- ANSI/ITSDF B56.1.
- NFPA 505, fire safety standard for powered industrial trucks -type designations, areas of use, maintenance and operation.
- Occupational Safety and Health Administration (OSHA) regulations that may apply.

Specifications, equipment, technical data, photos and illustrations based on information at time of printing and subject to change without notice. Some products may be shown with optional equipment.

PW30L	
large compartment	
electric	
walkie	
6,000	2,700
24	600
61.7 ^[1]	1,567 ^[1]
2,091	948
3,363/4,728	1,525 / 2,145
1,624/467	737 / 212
PU (polyurethane)	
9.1 x 2.8	230 x 70
3.25 x 4.3	82 x 110
3.9 x 1.6	100 x 40
1x +2	
8.1	205
31.7 / 52.0	805 / 1,320
3.25	82
75.9	1,928
30.8	783
33.4	849
2.2 / 8.0 / 45.3	55/203/1,150
26.4	670
1.1	28
88.0 ^{[1] [2]}	2,236 ^{[1] [2]}
69.8 ^[1]	1,773 ^[1]
3.4 / 3.4	5.5 / 5.5
9.3 / 13.8	.047 / .07
12.4 / 11.8	.063 / .06
10 / 20	
electric	
1.6	2.1
1.5	2.0
24	
510 - 750	
963	437
70	

Call-out numbers shown in the diagram below correspond to the first column of the specifications chart.

PW23-PW30



PW23-PW30

4,500 – 6,000 LB CAPACITY ELECTRIC WALKIE

Flexible Options

1. Reduced Wear And Tear

The optional ProTracLink stability caster wheel system helps stabilize the forklift when moving large or loose loads. The system evenly distributes forces during travel, helping to reduce the chance of damage when traveling over dock plates.

2. Keypad Access

Keypad access allows each operator to have a personal code. This option also gives the operator a choice between three drive modes (economy, medium and high performance).

3. Integrated Charger

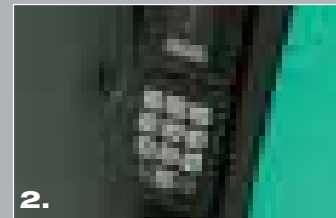
The integrated charger option helps increase productivity by allowing convenient opportunity charging during breaks and lunches. The added benefit is increased uptime in extended shift operations.

4. Discharge Indicator

The walkie's current battery life is displayed through the LED battery discharge indicator. The operator has access to more data through the optional "CanDis" information panel, containing an enhanced visual charge indicator, hour meter and service code display.



1.



2.



3.



4.

Manufactured with superior quality and exceptional value, Mitsubishi forklift trucks are supported by an extensive dealer and field support network located throughout North and South America. Don't forget to ask your local Mitsubishi forklift truck dealer about details on factory retail programs, financing plans and additional options and dealer services like planned maintenance and operator training.