

POWERFUL PERFORMANCE MEETS COMPACT DESIGN.

FB16PNT-FB20PNT

3,000 – 4,000 LB CAPACITY
3-WHEEL ELECTRIC FORKLIFT TRUCK

1. Powerful

Excellent Performance

Heavy-duty AC drive and hydraulic motors, along with powerful Mitsubishi PM-1000 controllers, provide outstanding performance levels.

Power Steering

Electric power steering provides improved energy efficiencies, operator comfort and durability over traditional hydrostatic power steering.

2. Durable

Outdoor Applications

These forklifts come equipped with sealed motors for added protection from contaminants, such as dust and moisture, allowing the forklift to thrive in both indoor and outdoor applications.

Reinforcement

All triplex masts are reinforced with additional crossbar members, reducing sway and torsion, especially at greater heights. Side covers are also reinforced.

3. Added Security

Presence System

The Integrated Presence System (IPS) ensures that the operator is properly seated when activating the forklift's travel or hydraulic functions – reducing the likelihood of accidental activation.

Controlled Cornering

As the forklift's steer angle increases, the Controlled Cornering Speed feature progressively reduces the speed of the forklift, providing added security to both the operator and the load.

4. Enhanced Ergonomics

Informative Display

The easy-to-read display panel provides key information to the operator as well as diagnostic capability for a service technician.

Operator Comfort

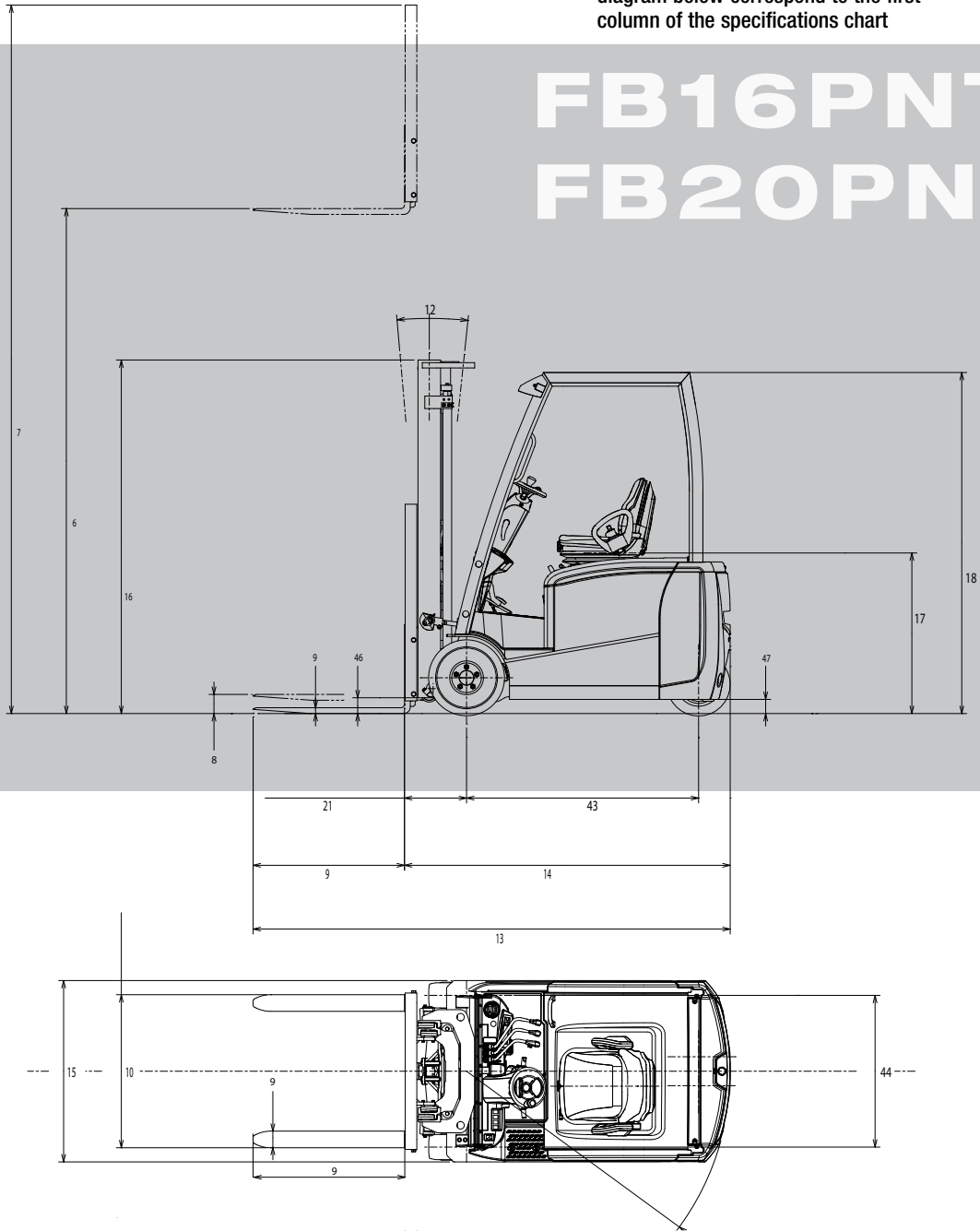
Optional fingertip control armrest provides operators with low-effort levers and length/height adjustment, all while increasing precision and control.



CHARACTERISTICS			FB16PNT		FB18PNT		FB20PNT	
1	Capacity at rated load center	lb kg	3,000	1,600	3,500	1,800	4,000	2,000
2	Capacity at load center – distance	in mm	24	500	24	500	24	500
3	Power – diesel, gasoline, LP gas, electric		electric		electric		electric	
4	Tire type – cushion, solid pneumatic		cushion		cushion		cushion	
5	Wheels, number front / rear (x=driven)		2x / 2		2x / 2		2x / 2	
DIMENSIONS								
6	Lift height (see tables)	in mm	130.9	3,325	130.9	3,325	131.1	3,330
7	Overall height with mast raised	in mm	179.1	4,548	179.1	4,548	179.1	4,548
8	Free lift (see tables)		4.5	115	4.5	115	4.7	120
9	Fork dimensions – thickness x width x length	in mm	1.4 x 3.9 x 42.0	35 x 100 x 1,070	1.4 x 3.9 x 42.0	35 x 100 x 1,070	1.6 x 3.9 x 42.0	40 x 100 x 1,070
10	Fork spacing – out-to-out minimum / maximum	in mm	9.5 / 36.2	240 / 920	9.5 / 36.2	240 / 920	9.5 / 36.2	240 / 920
11	Fork carriage to DIN 15 173 A / B / no		2A		2A		2A	
12	Tilt forward / backward	deg	5.0 / 7.5		5.0 / 7.5		5.0 / 7.5	
13	Overall length	in mm	114.9	2,918	119.2	3,028	120.2	3,054
14	Length to fork face (includes fork thickness)	in mm	72.8	1,848	77.1	1,958	78.1	1,984
15	Overall width	in mm	42.9	1,090	42.9	1,090	42.9	1,090
16	Height with lowered mast	in mm	83.7	2,125	83.7	2,125	83.7	2,125
17	Seat height to SIP	in mm	37.5	953	37.5	953	37.5	953
18	Height to top of overhead guard	in mm	80.7	2,050	80.7	2,050	80.7	2,050
19	Drawbar pull	in mm	22.6	575	22.6	575	22.6	575
20	Minimum outside turning radius	in mm	58.1	1,475	62.4	1,585	62.8	1,595
21	Load distance, axle to fork face	in mm	14.7	373	14.7	373	15.3	389
22	Working aisle width with 1,000 x 1,200 mm pallets, crosswise	in mm	124.9	3,173	129.3	3,283	130.2	3,308
23	Working aisle width with 800 x 1,200 mm pallets, crosswise	in mm	117.8	2,993	122.2	3,103	123.1	3,127
PERFORMANCE								
24	Travel speed, loaded	mph km/h	10.0	16.0	10.0	16.0	10.0	16.0
25	Travel speed, empty	mph km/h	10.0	16.0	10.0	16.0	10.0	16.0
26	Lift speed, loaded (36 Volt)	fpm m/s	78.7	0.40	68.9	0.35	66.9	0.34
27	Lift speed, empty (36 Volt)	fpm m/s	110.2	0.56	110.2	0.56	110.2	0.56
28	Lift speed, loaded (48 Volt)	fpm m/s	98.4	0.50	86.6	0.44	78.7	0.40
29	Lift speed, empty (48 Volt)	fpm m/s	118.1	0.60	118.1	0.60	118.1	0.60
30	Lowering speed, loaded	fpm m/s	102.4	0.52	102.4	0.52	102.4	0.52
31	Lowering speed, empty	fpm m/s	98.4	0.5	98.4	0.5	98.4	0.5
32	Gradeability loaded at 1 mph (1.6 km/h) (36 Volt)	%	13		12		11	
33	Gradeability loaded at 1 mph (1.6 km/h) (48 Volt)	%	27		25		23	
34	Gradeability maximum (empty) (36 Volt)	%	30		28		26	
35	Gradeability maximum (empty) (48 Volt)	%	35		35		35	
WEIGHT								
36	Empty with minimum weight battery	lb kg	6,826	3,095	7,171	3,255	7,756	3,520
37	Axle load with rated load, front	lb kg	8,743	4,179	9,433	4,469	10,370	4,870
38	Axle load with rated load, rear	lb kg	1,083	516	1,239	586	1,386	560
39	Axle load without load, front	lb kg	3,313	1,502	3,462	1,573	3,553	1,610
40	Axle load without load, rear	lb kg	3,514	1,593	3,709	1,682	4,203	1,910
CHASSIS								
41	Tire size front	in	18 x 7 - 12 1/8		18 x 7 - 12 1/8		18 x 7 - 12 1/8	
42	Tire size rear	in	15 x 5 x 11 1/4		15 x 5 x 11 1/4		15 x 5 x 11 1/4	
43	Wheelbase	in mm	50.6	1,285	54.9	1,395	54.9	1,395
44	Track width front (center of tires)	in mm	35.9	912	35.9	912	35.9	912
45	Track width rear (center of tires)	in mm	6.9	174	6.9	174	6.9	174
46	Ground clearance at lowest point at mast	in mm	3.7	95	3.7	95	3.7	95
47	Ground clearance at center of wheelbase	in mm	3.3	85	3.3	85	3.3	85
48	Brakes service	type	mechanical / hydraulic		mechanical / hydraulic		mechanical / hydraulic	
49	Brakes parking	type	electric		electric		electric	
ELECTRICAL								
50	Battery type		lead acid		lead acid		lead acid	
51	Battery capacity at 6 hr. discharge rate (36 Volt)	Ah kWh	880	31.7	1,100	39.6	1,100	39.6
52	Battery capacity at 6 hr. discharge rate (48 Volt)	Ah kWh	660	31.7	770	37.0	770	37.0
53	Battery weight, minimum	lb kg	1,910	865	2,200	1,000	2,200	1,000
54	Battery weight, maximum	lb kg	2,400	1,090	2,700	1,225	2,700	1,225
55	Battery compartment size, maximum	in mm	39.6x20.8x24.8	1,006x528x630	39.6x25.1x24.8	1,006x638x630	39.6x25.1x24.8	1,006x638x630
56	Drive motor capacity (60 min. rating)	HP kW	6.0 x 2	4.5 x 2	6.0 x 2	4.5 x 2	6.0 x 2	4.5 x 2
57	Lift output (15% rating)	HP kW	15.4	11.5	15.4	11.5	15.4	11.5
58	Drive controls	type	AC transistor		AC transistor		AC transistor	
59	Hydraulic controls	type	AC transistor		AC transistor		AC transistor	
60	Flow rate for attachments	PSI Mpa	2,625	18.1	2,625	18.1	2,625	18.1

Call-out numbers shown in the diagram below correspond to the first column of the specifications chart

FB16PNT- FB20PNT



SAFETY STANDARDS

These trucks meet American National Standards Institute/Industrial Truck Standards Development Foundation, ANSI/ITSDF B56.1. UL-Classified by Underwriters Laboratories, Inc., as to fire and electric shock hazard only; Type E, EE (optional), Industrial Trucks. Users should be aware of, and adhere to, applicable codes and regulations regarding operator training, use, operation and maintenance of powered industrial trucks, including:

- ANSI/ITSDF B56.1.
- NFPA 505, fire safety standard for powered industrial trucks -type designations, areas of use, maintenance and operation.
- Occupational Safety and Health Administration (OSHA) regulations that may apply.

Specifications, equipment, technical data, photos and illustrations based on information at time of printing and subject to change without notice. Some products may be shown with optional equipment.

FB16PNT-FB20PNT

3,000 - 4,000 LB CAPACITY 3-WHEEL ELECTRIC FORKLIFT TRUCK

Flexible Operation

1. Rough Terrain

Even demanding applications that feature rough or uneven floors are no problem for these forklifts. Available modifications, such as solid pneumatic tires and a full-suspension seat, can further customize the forklifts to create a comfortable ride, shift after shift.

2. Cold Environments

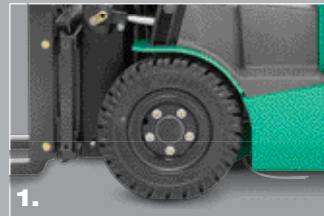
Cold storage applications can be harsh for both forklifts and operators. The Cold Storage Modification option offers a variety of enhancements, such as low-temperature grease, oils and heaters that are applied to key components, helping to protect both the operator and forklift in extreme conditions.

3. Dock-To-Stock

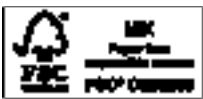
Built to perform in dock-to-stock applications, this series can be equipped with optional features for increased operator comfort and productivity.

4. Service Made Easy

Service technicians have easy access to components and diagnostic capabilities, resulting in quicker repairs and increased uptime.



Manufactured with superior quality and exceptional value, Mitsubishi forklift trucks are supported by an extensive dealer and field support network, located throughout North and South America. Don't forget to ask your local dealer about details on factory retail programs, financing plans to meet your individual needs and additional options and dealer services.



© 2016. All rights reserved. All registered trademarks are the property of their respective owners. Some products may be shown with optional equipment.